



OSM 8600 RAPIDO

CONCRETE SPRAYING ARM

The spraying arms OCMER of the RAPIDO series are destined to the moving at a distance of the spraying pistol when executing sprayed concrete application using both the dry or wet system. Their use allows to better in large extent the working conditions at the job-sites together with a sensible increase in the productivity.

More particularly the model OSM-8600 RAPIDO is characterized from its simplicity and contained dimensions.

The arm find its use mainly in slope consolidation works but it has been adopted as well in channels restoration and small/medium size tunnels projects.

The whole structure of the arm is protected from robust steel frames that together with the primary quality components allows its use in the most hard working conditions.

All the movements are driven from proportional electro-hydraulic distributors that allows a precise and fast positioning while the tilting movement at the head, excludible with a dedicated selector, facilitate its use.

The OSM-8600 RAPIDO can be supplied as free standing unit or mounted on a hydraulically stabilized track carrier



SPECIALIZED TECHNICAL ADVICE



We offer specialized technical consultancy on specific projects, helping you find the solution best suited to your needs

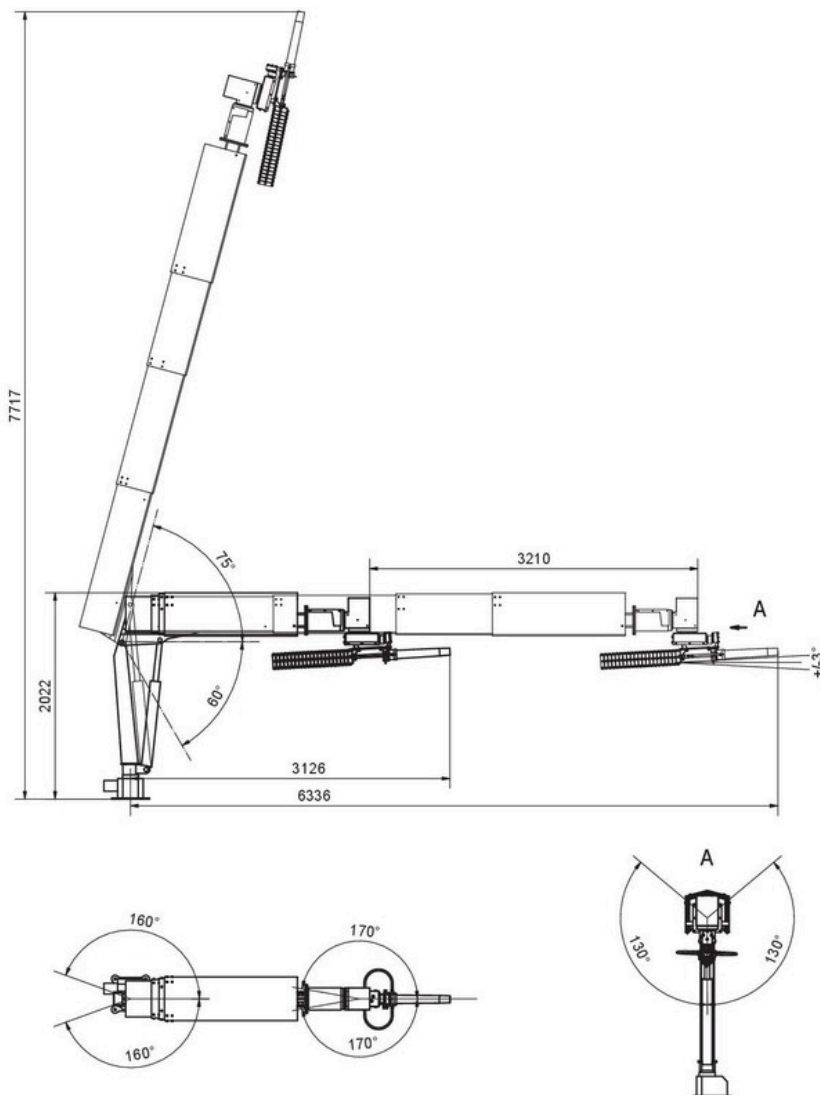
CUSTOMIZATION



We actively collaborate to propose you tailor-made solutions through specially designed products or by modifying existing ones.



OSM 8600 RAPIDO



TECHNICAL DATA

- Weight 500 kg
- Installed power: 7,5 KW, 3x400 V, 50 Hz (other voltages upon request)
- Electric control panel: EEC NORMS (EN-60204-1; EN-60439-1; 73/23/EEC; 93/68/EEC);
- Protection degree: IP55