



## OSM 9600 RAPIDO

### CONCRETE SPRAYING ARM

The spraying arms OCMER of the RAPIDO series are destined to the moving at a distance of the spraying pistol when executing sprayed concrete application using both the dry or wet system. Their use allows to better in large extent the working conditions at the job-sites together with a sensible increase in the productivity. More particularly the model OSM-9600 RAPIDO has been specifically designed to operate in tunnel of medium/large dimensions.

With the axial movement at the head in horizontal position it is possible in fact to operate at best in galleries with diam from 5 to 16 mt and heights from 5 to 11 mt.

The whole structure of the arm is protected from robust steel frames. All the movements are driven from proportional electro-hydraulic distributors that allows a precise and fast positioning by means of three joy-sticks placed on the special radio remote control unit.

The OSM-9600 RAPIDO can be supplied as free standing unit or mounted on a hydraulically stabilized track carrier.



### SPECIALIZED TECHNICAL ADVICE



We offer specialized technical consultancy on specific projects, helping you find the solution best suited to your needs

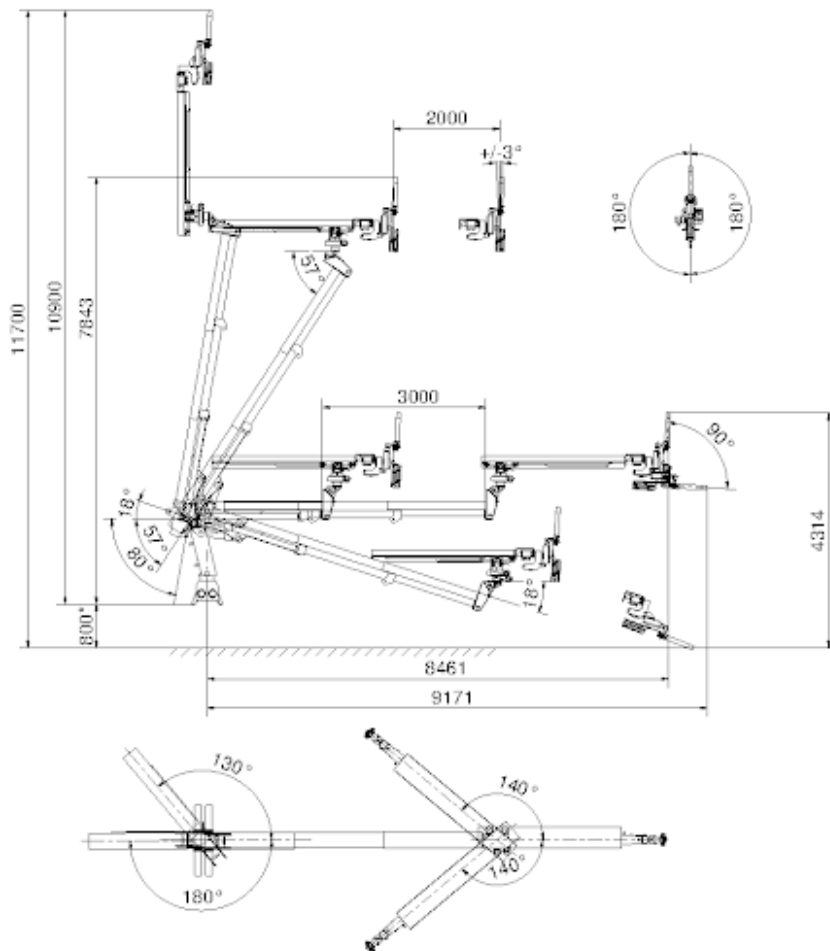
### CUSTOMIZATION



We actively collaborate to propose you tailor-made solutions through specially designed products or by modifying existing ones.



## OSM 9600 RAPIDO



### TECHNICAL DATA

- Weight 1600 kg
- Installed power: 11 KW, 3x400 V, 50 Hz (other voltages upon request)
- Electric control panel: EEC NORMS (EN-60204-1; EN-60439-1; 73/23/EEC; 93/68/EEC);
- Protection degree: IP55